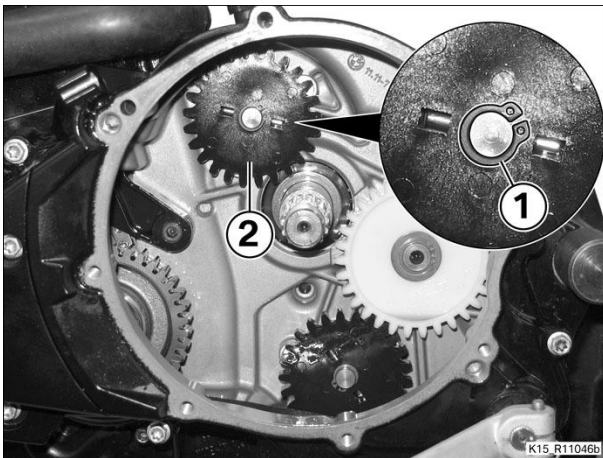


📁 11 41 504 Removing and installing oil pump (clutch removed)

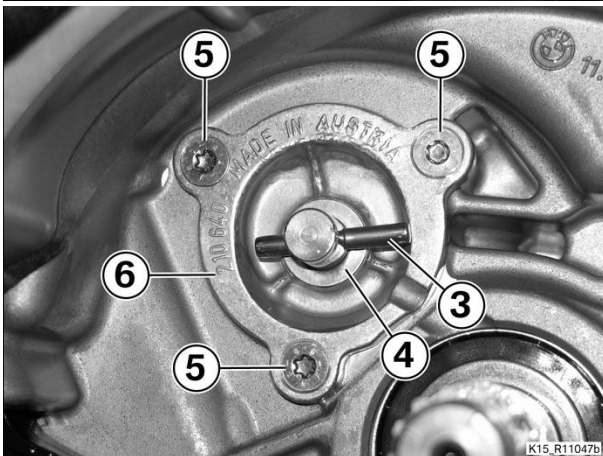
Core activity

(-) Removing oil delivery pump

- Remove circlip (1).
- Remove oil delivery pump gear (2).

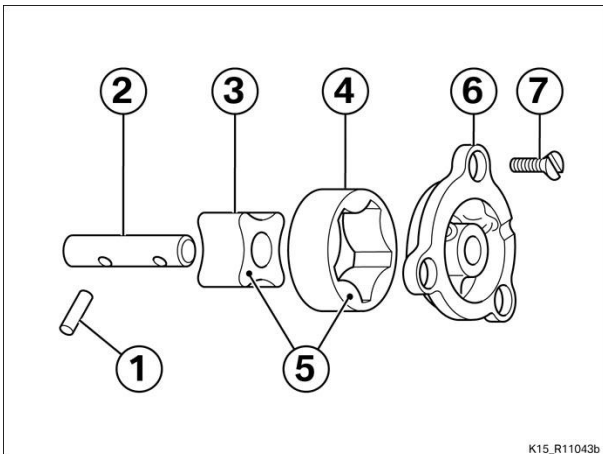



- Remove needle roller (3).
- Remove thrust washer (4).
- Remove screws (5) and remove oil-pump cover (6).
- Remove the inner and outer rotors.



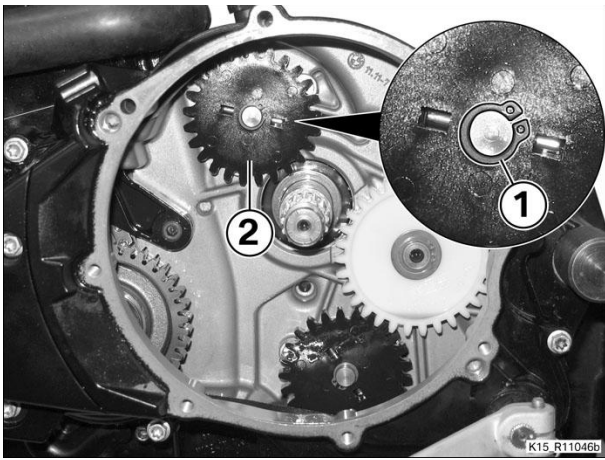
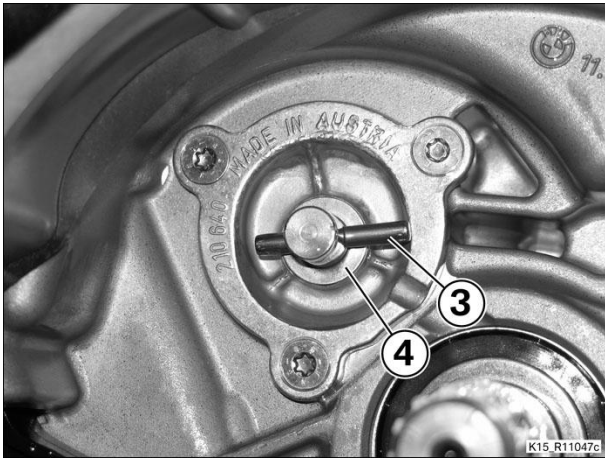
(-) Installing oil delivery pump

- Clean the threads.
- Insert needle sleeve (1) into pump shaft (2).
- Oil the inner and outer rotors.
- Seat inner rotor (3) and outer rotor (4) on the pump shaft with spot marker (5) to the outside and install the assembly in the engine block.
- Install oil-pump cover (6).
- Install screws (7).



 Tightening torques		
Oil-pump cover		
M5 x 16 Loctite 243	6 Nm	

- Place thrust washers (4) on the pump shaft.
- Insert needle roller (3) into the pump shaft.



- Install oil delivery pump gear (2).
- Install circlip (1).